

VSAM-Direct

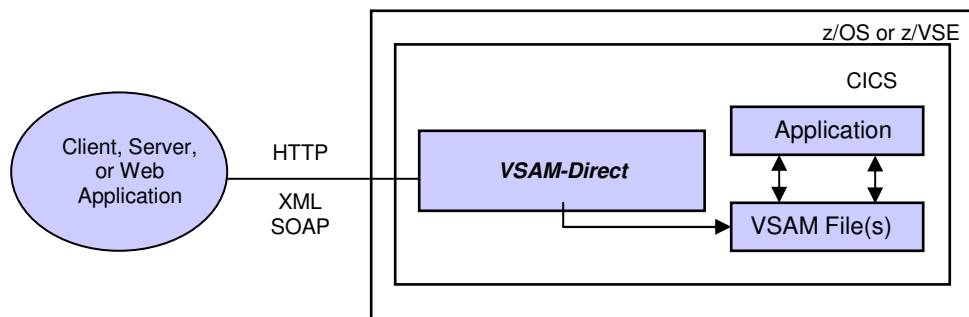
Integrate VSAM data as a Web Service

VSAM-Direct automatically XML-enables VSAM data. When used with any third-party integration software that can invoke a COMMAREA program, *VSAM-Direct* provides a direct XML pathway between any VSAM data and any server or web application using HTTP, XML, SOAP, and WSDL open standards - without changing or creating a new mainframe application and without special connectors or adaptors. *VSAM-Direct* exposes your mainframe VSAM data as a Web Service allowing you to extend the useful lives of legacy applications and data, embrace emerging technologies, and generate a greater return on investment.

VSAM-Direct provides direct access to CICS VSAM RRDS and KSDS data via TCP/IP from any client, server or web-based application. The requesting server or web application issues standard HTTP requests, providing the name of the VSAM file, related copybook name(s), record key data, and type of action to be performed. *VSAM-Direct* performs the requested action and returns a resulting XML document in the specified results.

Features of *VSAM-Direct* include:

- Utilizes standard COMMAREA function(s)
- Acts as File Request Manager to perform such actions as Read, Readnext, Readprev, Generic Read, Update or Delete
- Accepts an ENQ name as part of an Update request
- Utilizes existing mainframe file access security (RACF, ACF-2, TopSecret)
- Returns data in a pre-defined COMMARA format
- Can be executed multiple times in a single request



VSAM-Direct requires the following mainframe software:

- CICS TS 1.3 or higher (z/OS) -or- CICS TS 1.1 or higher (z/VSE)
- CICS Web Services (CWS), including TCP/IP services installed